

Piezoelectric Speaker

KSN 1177A TD Bullet Tweeter Datasheet

Applications

Specific Applications	<ul style="list-style-type: none"> - SODAR (Wind Profiling) - LRAD Long Range Acoustic Device - Automotive, Aircraft, Trains, Ships - Radios - Medical Equipment - High Fidelity Sound Reproduction - Bioacoustics - Alarms/Alerts - Transducer - Pest Repellent (Rodents, Birds, etc.)
-----------------------	---

KSN1177A



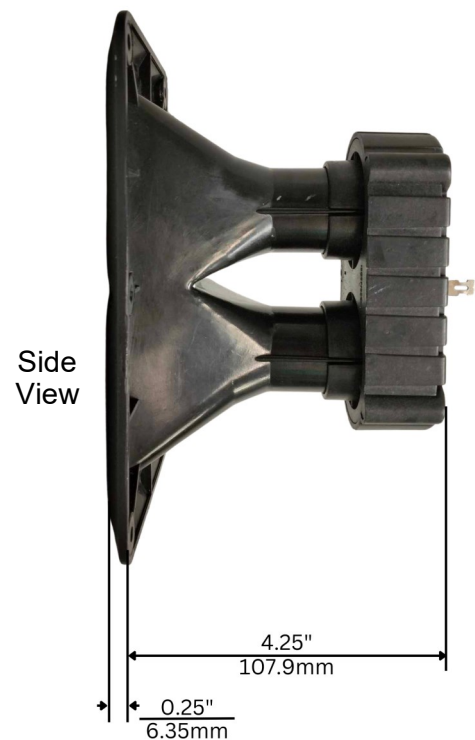
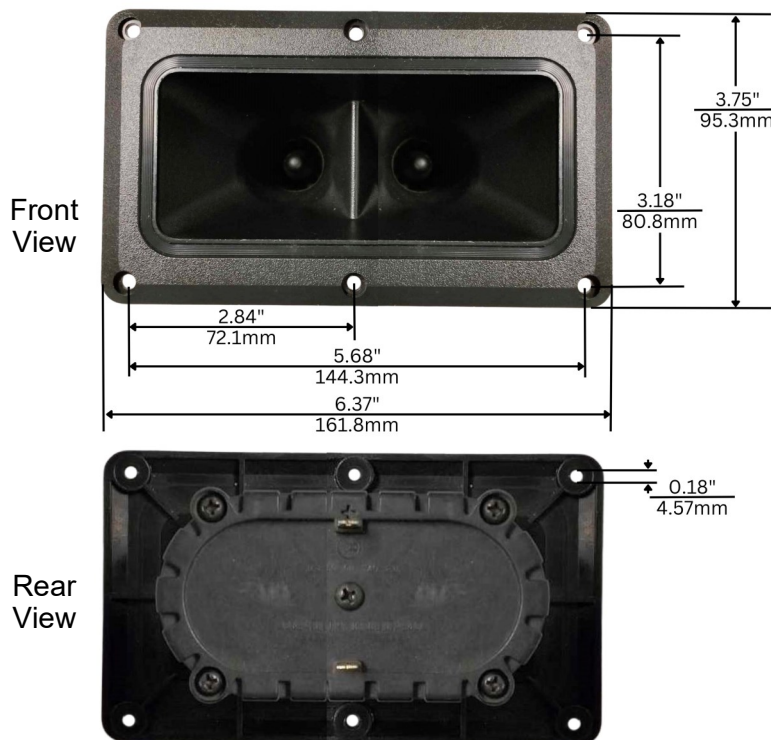
Features

1. Low power consumption
2. High sensitivity
3. Withstand harsh environment

Packaging Information

Specifications	Standard Packing Quantity	Gross Weight
14"x15"x19"	30 pcs	7.28 kgs

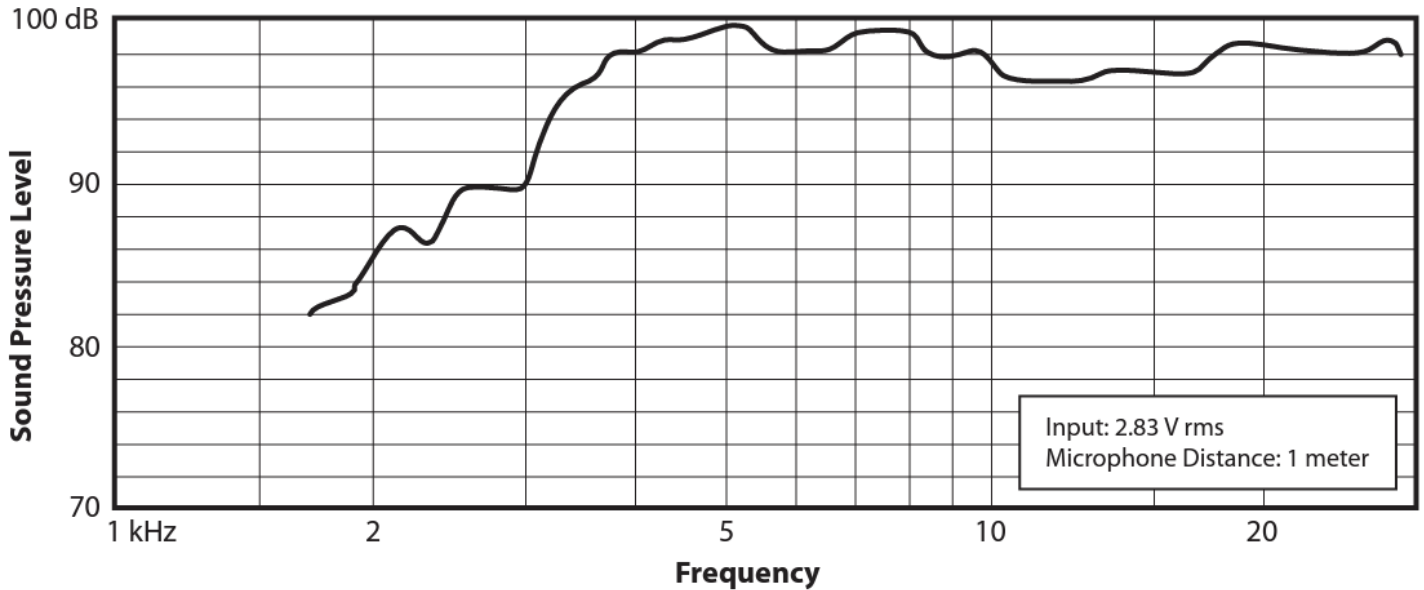
Appearances and Dimensions



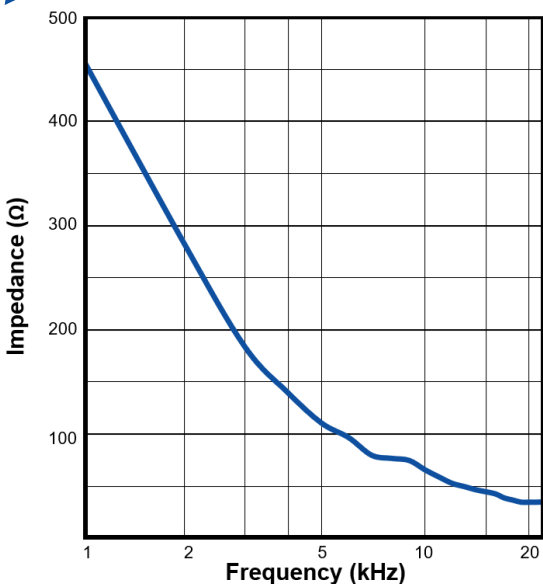
Piezoelectric Speaker

KSN 1177A TD Bullet Tweeter Datasheet

Frequency Response



Impedance Plot



Specifications

Frequency Response	3.5kHz to 20kHz
Average Sensitivity	99dB at 1m/1W
Maximum Power Handling Capacity	100W (EIA RS426) 8Ω system reference
Maximum Temperature	90°C (194°F)
Typical Impedance	Appears as a 0.26μF capacitor
Weight	130g

Warning: A 30-ohm series resistor is recommended to assure stability of extended range amplifiers and preclude hazard of burnout.

Warning: Do not operate at continuous high voltage. At frequencies below 20 kHz, daily sound pressure exposures in excess of one hour at 105 dB may lead to hearing impairment.